



Thank you for purchasing this bathroom furniture. We recommend having a skilled trades professional complete the installation.

Please read all instructions included, prior to installation.

If you require assistance, please contact us:

Toll Free Phone: 855.719.4870

E-mail: service@rocksolidvanities.com

Cabinetry Adjustments

During final inspection at our facility, the doors and drawers are adjusted to ensure proper alignment and closure. After shipping and installation, the doors and drawers may need to be realigned. If required, please follow the provided instructions.

DOOR HINGES

The door hinges are adjusted using cam screws. These screws have a 1/2 turn of adjustment. Please do not turn past the adjustment range.

(1) ADJUSTING THE DOOR HEIGHT

The door height is adjusted by turning a cam screw. The top and bottom hinge should be adjusted evenly.

(2) ADJUSTING THE GAP BETWEEN THE DOOR AND THE FACE FRAME

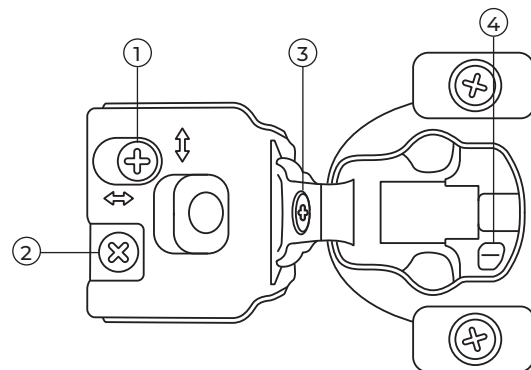
The gap is adjusted by turning a cam screw. Adjust the cam screw in such a way as to minimize the amount of "bouncing" when tapping a closed door on the outer corner with your finger.

(3) ADJUSTING THE SPACE BETWEEN THE DOORS

Adjust the space between the doors by turning the cam screw that is located on the forward-facing edge of the hinge when open.

(4) ADJUSTING THE SOFT CLOSE MECHANISM

To adjust the soft-close feature, gently slide the tab (vertically) away from the center of the hinge until it clicks.



LEVELING THE DRAWER FACES

There are 2 slide clips on the underside of each drawer (1) that level the drawer face. There is a dial (2) that can be adjusted to raise or lower each side of the drawer. It is recommended to adjust both in unison or multiple drawers at the same time to get the best result.

DRAWER REMOVAL

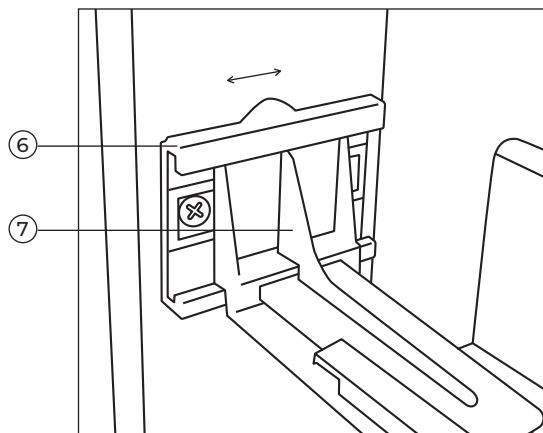
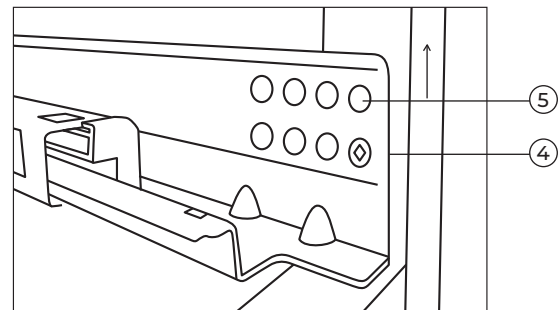
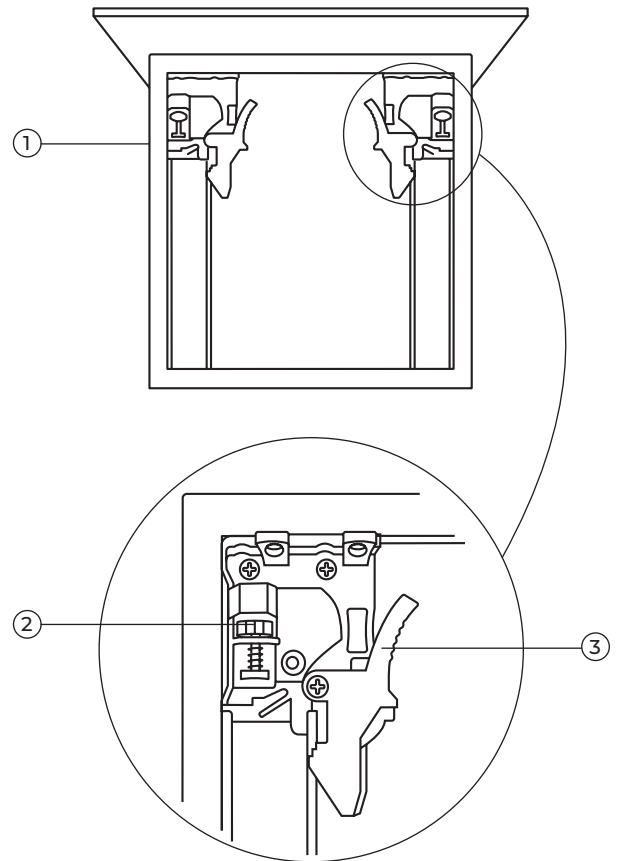
Pull the drawer out fully, then reach underneath the drawer bottom and press in both releases on the clips (3) to remove. To re-install, place the drawer onto the slides, align the tab on the back of the slide to sit in the pre-drilled hole on the drawer back, then click the slides back into the clips.

RAISING THE DRAWER SLIDES

In some cases, there may not be enough adjustment in the dial (2), in which case the drawer slides (4) must be raised. After removing the drawer box you will notice a screw holding the slide to the face frame and a second hole in the slide directly above the screw (5); this is the hole you will use to reinstall the slide. Remove the screw, raise the slide to the desired height and pre-drill a small hole so that you do not crack the face frame when installing the screw.

DRAWER FACE DOES NOT SIT FLUSH SIDE TO SIDE WITH FACE FRAME

The drawer slides are attached to a gliding plastic bracket (6) mounted to the back frame. The bracket is used to adjust the slides from side to side (7). If there is a gap between the drawer face and the face frame on the left side, push both brackets to the right. If there is a gap on the right side, push both brackets to the left. Once the drawer face sits flush it should not need adjusting again as the slides will be balanced.



Linen Tower Assembly

To reduce the chance of damage and for ease of handling, the Linen Tower is shipped in sections. A medium Phillips (+) screw driver, carpenters glue and paper towel or a clean rag are required to assemble the Linen Tower. Dowels and screws are provided.

Note: Assemble the Linen Tower in the room where it will be installed.

(1) REMOVE NAIL GLIDE FEET FROM UPPER UNIT

Place the upper unit upside down with the top on the floor and remove/discard the four nail glide feet.

(2) ADD GLUE TO UPPER UNIT

Place a few drops of glue in the four dowel holes of the upper unit.

(3) ADD DOWELS TO UPPER UNIT

Push the four dowels into the holes on the upper unit. Gently tap the dowels into place until they can go no further.

(4) PLACE UPPER UNIT ON LOWER UNIT

Place a few drops of glue in the four dowel holes of the lower unit and place the upper unit on top of the lower unit, aligning the dowels and holes. Wipe off any excess glue.

(5) ADD FILLER STRIPS (IF APPLICABLE)

If the Linen Tower is being installed against a wall, two filler strips are provided. Install the shorter 33" piece at the bottom section of the linen tower for a less noticeable seam.

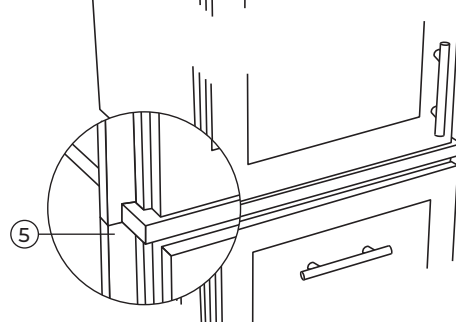
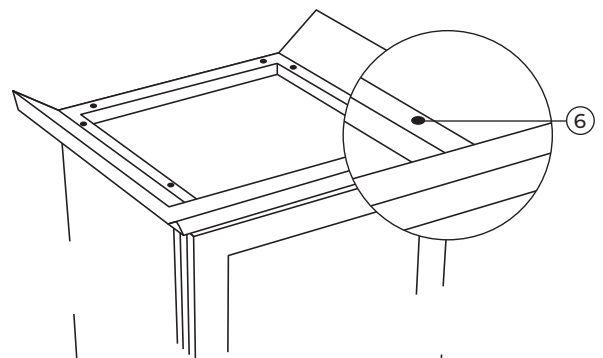
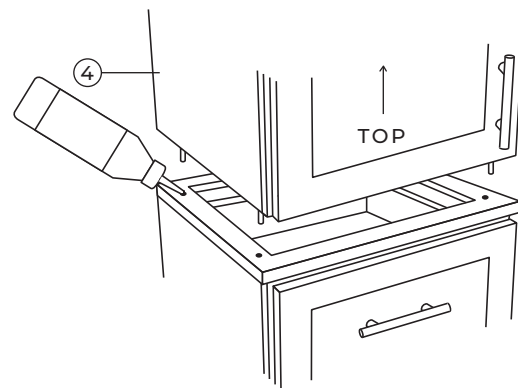
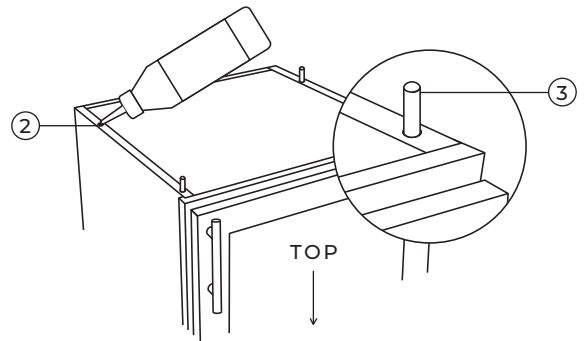
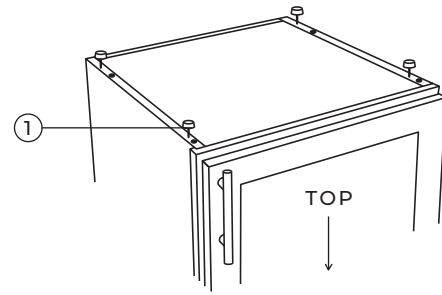
(6) INSTALL CROWN MOLDING (IF APPLICABLE)

Align the pre-drilled holes in the crown molding to the top of the cabinet and secure using screws provided. If the Linen Tower is being installed next to a wall, cut back the crown molding before affixing to the Linen Tower.

Note: This cut must be performed on site by a skilled trades professional.

IMPORTANT:

Once assembly is complete, the Linen Tower must be secured to the wall. Screw through the installation strip at the top interior of the tower directly into a stud. If a stud cannot be found, use a wall anchor.



60"/72" Vanity Centre Support Leg Adjustment

A support leg is included in all 60" and 72" vanities to prevent sagging under the weight of the vanity top. Use the Allen key provided to adjust the support leg during installation. Use the white cap provided to cover the support leg once adjustment is complete.

ACCESS PRE-INSTALLED SUPPORT LEG

The support leg (1) is located in the center of the vanity's bottom panel, a few centimeters from the back edge. Double sink vanities need to have drawers removed in order to access the support leg. See the Door and Drawer Adjustment Instructions (pg. 2) for information on how to remove the drawers.

LOWER SUPPORT LEG TO TOUCH FLOOR

Insert the short end of the Allen key into the top of the support leg and rotate clockwise (2) to lower the leg to the floor. Turn until resistance can be felt.

CHECK VANITY TOP IS LEVEL

Place the vanity back splash on the vanity top to determine if the support leg needs to be adjusted further.

If the backsplash has a large gap or appears raised in the middle, but flush with the vanity top on its ends, the support leg has been under-adjusted (3). Rotate the Allen key clockwise until the backsplash is flush across the entire vanity top.

If the backsplash is flush with the vanity top in the middle but has large gaps or appears raised on its ends, the support leg has been over-adjusted (4). Rotate the Allen key counter-clockwise until the backsplash is flush across the entire vanity top.

With the support leg properly adjusted, your backsplash will be flush with the vanity top (5) **Note:** The support leg may require additional adjustment as the vanity settles under the weight of the vanity top. Keep the Allen key for future use.

CONCEAL THE SUPPORT LEG

Place the white cap (provided) over the hole (6) with the flat side facing up, then press the white cap into the hole.

